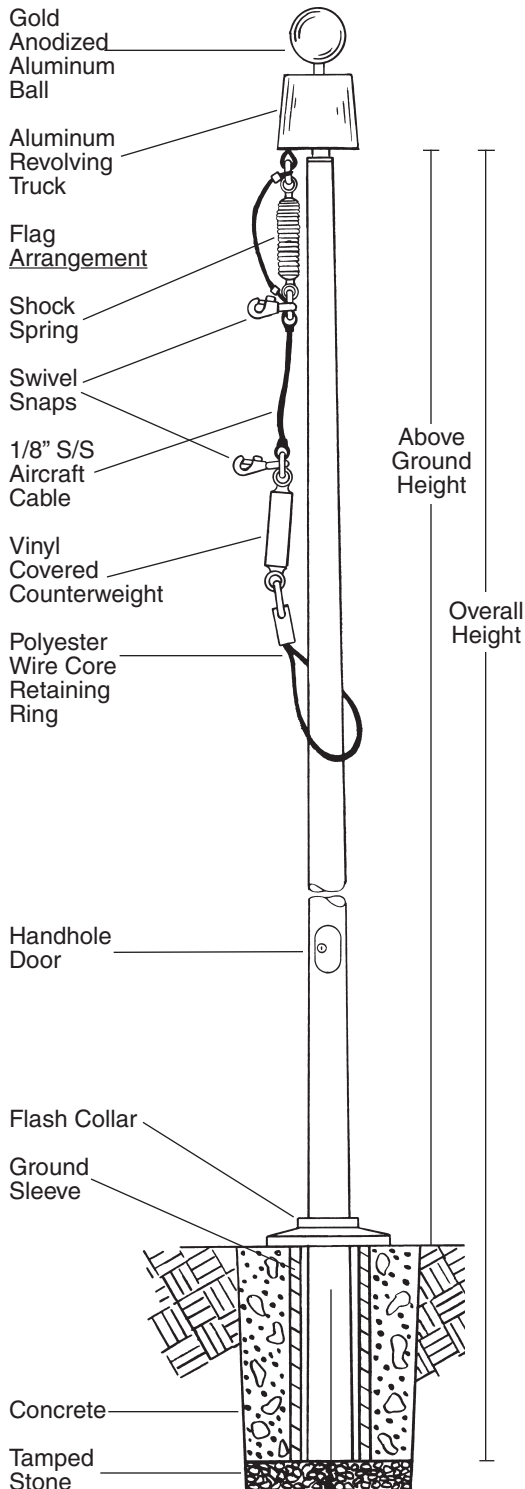
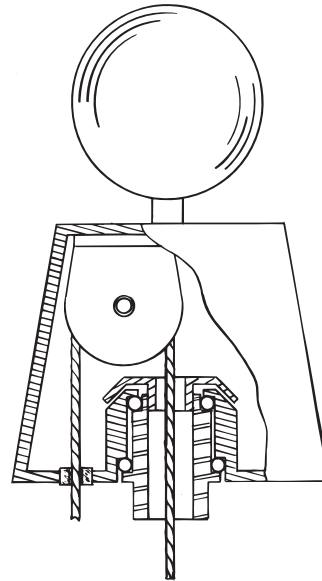


Fiberglass Flagpoles

Fiberglass
Internal Halyard
Flagpoles 50 I - 100 I

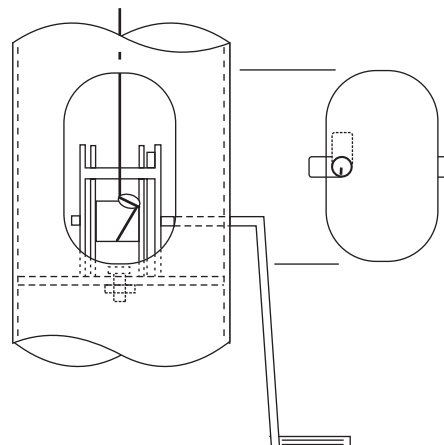


Aluminum Revolving Internal Truck



Internal Winch

Front View



Lightning Ground Rod
With Cable to Winch

SPECIFICATIONS

Provide a Fiberglass Reinforced Plastic (FRP) Ground Set Flagpole Model # _____ I Á

The flapole shall have a mounting height of _____' and _____' below grade for an overall length of _____'.

The butt diameter shall be _____ inches and the top diameter _____ inches. The pole weight shall be approximately _____ lbs. with a total shipping weight of _____ lbs.

The flagpole shall be manufactured of fiberglass woven roving and polyester resin with 75% of the reinforcing fibers oriented in the axial plane for maximum stiffness and 25% in the radial plane for required hoop strength. Load calculations shall be based on AASHTO and NAAMM standards with the pole designed with a two to one safety factor for 125 m.p.h. winds, unflagged with a 1.3 gust factor.

The pole shall have an ENTASIS taper and shall be void of any vertical mold seams.

The pole shall be sanded smooth and coated with a high gloss Aliphatic Polyurea coating system based on Dual Cure chemistry, providing extended UV protection and weatherability.

The color of the flagpole shall be:

Standard white, bronze, black, or other, as specified _____. (Select one)

The flagpole shall be equipped with PLP standard fittings:

- A _____" gold anodized aluminum ball
- Aluminum revolving internal truck
- 1/8" stainless steel aircraft cable
- Polyester wire core retaining ring
- Vinyl covered counterweight
- Stainless steel internal winch with hand crank
- Handhole door with cylinder cam lock
- Stainless steel swivel snaps with vinyl covers
- A _____" composite flash collar
- _____' x _____" composite ground sleeve

EXCEPTIONS: _____

PROJECT: _____

LOCATION: _____

DATE: _____

Model Number	PLP 50 I	PLP 60 I	PLP 70 I	PLP 80 I*	PLP 90 I	PLP 100 I
Above Ground Height	50'	60'	70'	80'	90'	100'
Overall Height	55'	66'	77'	88'	99'	110'
Butt Diameter	10"	10.5"	16"	16.5"	17"	17.5"
Top Diameter	4.5"	4.5"	7"	7"	7"	7"
Pole Weight (lbs.)	325	480	807	1108	1637	2086
Shipping Weight (lbs.)**	577	776	1336	1648	2315	2830
Ground Sleeve I.D.	14"	14"	20"	20"	20"	20"
Ground Sleeve Length	5'	6'	7'	8'	9'	10'
Ball Diameter	10"	10"	14"	14"	14"	14"
Halyard	S/S cable	S/S cable	S/S cable	S/S cable	S/S cable	S/S cable
Flash Collar	23" Rev.	23" Rev.	30" Rev.	30" Rev.	30" Rev.	30" Rev.
Truck	Alum.	Alum.	Alum.	Alum.	Alum.	Alum.
Snaps	S/S Swivel	S/S Swivel	S/S Swivel	S/S Swivel	S/S Swivel	S/S Swivel
Standard Size Flag	8x12	10x15	12x18	12x18	20x30	20x30

All poles are equipped with an internal field splice which is cemented and pinned with stainless steel pins to the bottom section. The top section simply slides over the self-aligning splice for easy field assembly.

* This pole is equipped with a ground set extension which fits into the butt of the pole. The entire assembly then slides into the ground sleeve. Detailed instructions come with each pole.

**Shipping weight includes weight of packaging and fittings.