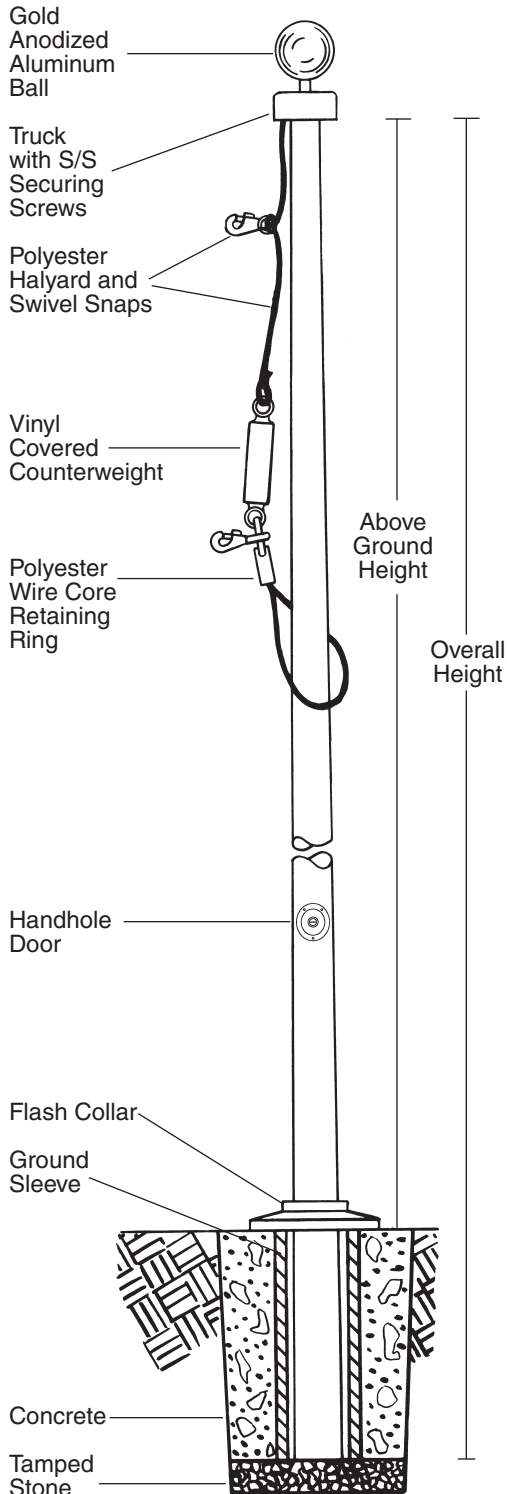
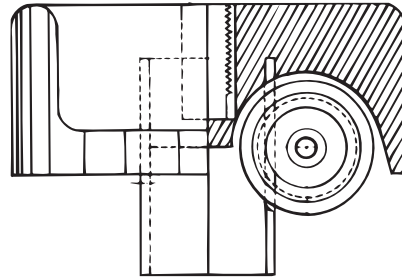


Fiberglass Flagpoles

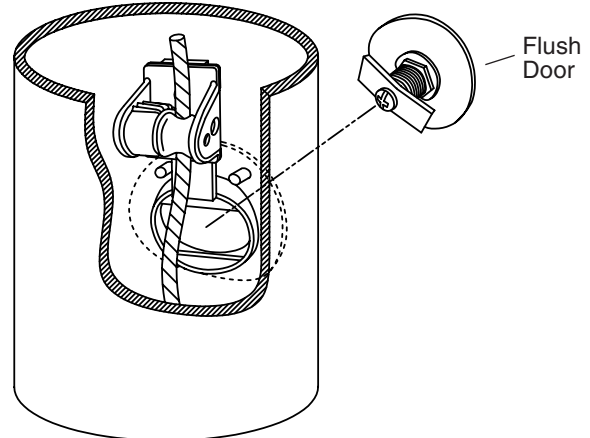
Fiberglass
Internal Halyard
Flagpoles 20 I - 40 I



Fiberglass Stationary Internal Truck



Internal Cam Cleat and Handhole Door



Model Number	PLP 20 I	PLP 25 I	PLP 30 I	PLP 35 I	PLP 40 I*
Above Ground Height	20'	25'	30'	35'	39'
Overall Height	23'	28'	33'	39'	43'
Butt Diameter	5.75"	6"	6.75"	7"	7"
Top Diameter	3"	3"	3"	3"	3"
Pole Weight (lbs.)	36	59	77	115	115
Shipping Weight (lbs.)**	84	113	137	184	206
Ground Sleeve I.D.	8"	8"	8"	8"	8"
Ground Sleeve Length	3"	3'	3'	4'	4'
Ball Diameter	5"	5"	6"	6"	8"
Halyard	#10	#10	#10	#10	#10
Flash Collar	16"	16"	16"	16"	16"
Truck	F/G	F/G	F/G	F/G	F/G
Snaps	Brass Swivel	Brass Swivel	Brass Swivel	Brass Swivel	Brass Swivel
Standard Flag	4x6	4x6	5x8	5x8	6x10

*This pole is equipped with a ground set extension which fits into the butt of the pole. The entire assembly then slides into the ground sleeve. Detailed instructions come with each pole.

**Shipping weight includes weight of packaging and fittings.

SPECIFICATIONS

Provide a Fiberglass Reinforced Plastic (FRP) Ground Set Flagpole Model # _____ I

The flapole shall have a mounting height of _____' and _____' below grade for an overall length of _____'.

The butt diameter shall be _____ inches and the top diameter _____ inches. The pole weight shall be approximately _____ lbs. with a total shipping weight of _____ lbs.

The flagpole shall be manufactured of fiberglass woven roving and polyester resin with 75% of the reinforcing fibers oriented in the axial plane for maximum stiffness and 25% in the radial plane for required hoop strength. Load calculations shall be based on AASHTO and NAAMM standards with the pole designed with a two to one safety factor for 125 m.p.h. winds, unflagged with a 1.3 gust factor.

The pole shall have an ENTASIS taper and shall be void of any vertical mold seams.

The pole shall be sanded smooth and coated with a high gloss Aliphatic Polyurea coating system based on Dual Cure chemistry, providing extended UV protection and weatherability.

The color of the flagpole shall be:

Standard white, bronze, black, or other, as specified _____. (Select one)

The flagpole shall be equipped with PLP standard fittings:

- A _____" gold anodized aluminum ball
- A single sheave internal fiberglass stationary truck with stainless steel securing screws
- #10 polyester halyard
- Polyester wire core retaining ring
- Vinyl covered counterweight
- Stainless steel and nylon internal cam cleat
- Handhole door with cylinder cam lock
- Brass swivel snaps with vinyl covers
- A 16" composite flash collar
- _____' x _____" composite ground sleeve

EXCEPTIONS: _____

PROJECT: _____

LOCATION: _____

DATE: _____