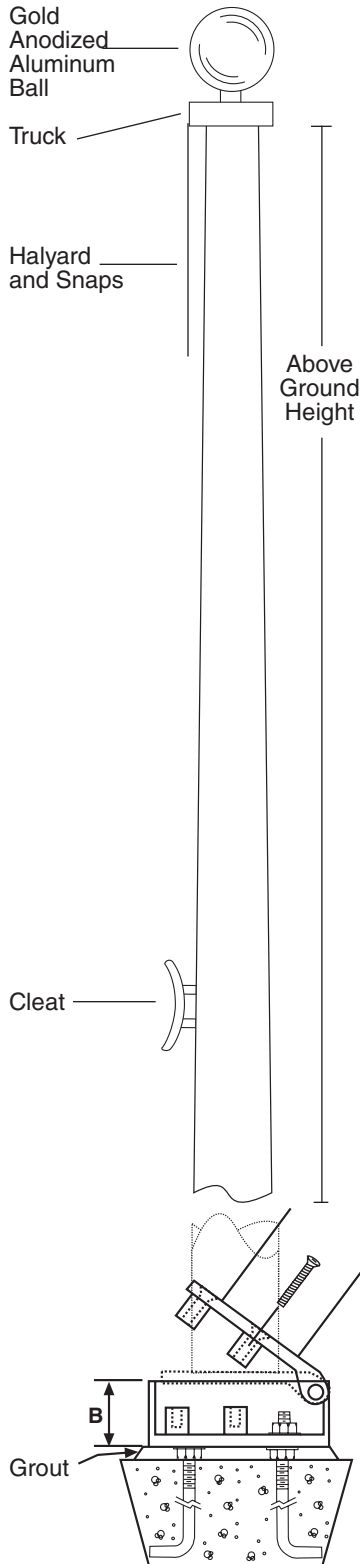
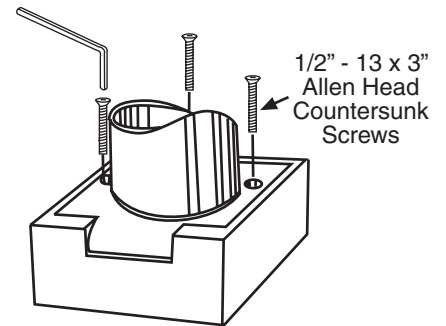
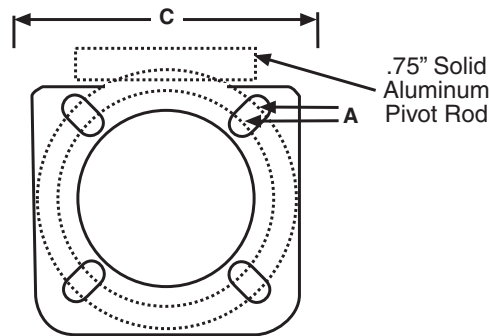
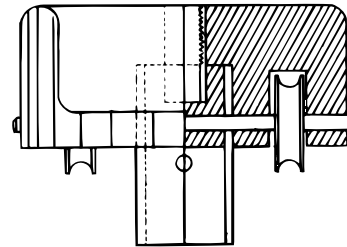


Fiberglass Flagpoles

Hinge Anchor Base
Fiberglass
External Halyard
Flagpoles 20 XHB - 35 XHB



Fiberglass Stationary External Truck



Model Number	PLP 20XHB	PLP 25XHB	PLP 30XHB	PLP 35XHB
Above Ground Height	20"	25'	30'	35'
Butt Diameter	5.75"	6.5"	6.5"	7"
Top Diameter	3"	3"	3"	3"
Pole Weight With Base (lbs.)	52	72	89	108
Shipping Weight With Base (lbs.)*	92	118	141	167
Cleat	8.5" Nylon	8.5" Nylon	8.5" Nylon	8.5" Nylon
Ball Diameter	5"	5"	6"	6"
Halyard	#10	#10	#10	#10
Truck	F/G	F/G	F/G	F/G
Snaps	Brass Swivel	Brass Swivel	Brass Swivel	Brass Swivel
Standard Flag Size	4x6	4x6	5x8	5x8
Anchor Bolt Length	25"	25"	25"	25"
Bolt Diameter	3/4"	3/4"	3/4"	3/4"
Exposed Thread	3"	3"	3"	3"
Bolt Circle (A)	7.5"-9"	8.5"-9"	8.5"-9"	8.5"-9"
Base Dimensions (B&C)	3.5" h x 10.5" w			

* Shipping weight includes weight of packaging, fittings, and anchor bolts.

SPECIFICATIONS

Provide a Fiberglass Reinforced Plastic (FRP) External Hinge Base Flagpole Model # _____ XHB

The flagpole shall have a mounting height of _____ feet. The butt diameter shall be _____ inches and the top diameter _____ inches. The pole weight shall be approximately _____ lbs. with a total shipping weight of _____ lbs.

The flagpole shall be manufactured of fiberglass woven roving and polyester resin with 75% of the reinforcing fibers oriented in the axial plane for maximum stiffness and 25% in the radial plane for required hoop strength. Load calculations shall be based on AASHTO and NAAMM standards with the pole designed with a two to one safety factor for 125 m.p.h. winds, unflagged with a 1.3 gust factor.

The pole shall have an ENTASIS taper and shall be void of any vertical mold seams.

The pole shall be sanded smooth and coated with a high gloss Aliphatic Polyurea coating system based on Dual Cure chemistry, providing extended UV protection and weatherability.

The color of the flagpole shall be:

Standard white, bronze, black, or other, as specified _____. (Select one)

The flagpole shall be equipped with PLP standard fittings:

- A _____" gold anodized aluminum ball
- # _____ polyester halyard
- _____" _____ cleat
- Flag Snaps

Brass swivel with vinyl covers

- Truck (Pulley Assembly)

Double sheave fiberglass stationary truck with stainless steel securing screws

HINGE BASE: Cast Aluminum A356 alloy aluminum, the hinge base shall be heat treated to a T6 condition. The shaft shall be cemented and pinned to a 21" aluminum pipe which shall be inserted into the tilting section of the hinge base and shall be joined to it by continuous circumferential welds at the outside top and inside bottom of that section. The tilting section of the hinge base shall be held in a vertical position by three 1/2" - 13 x 3" stainless steel countersunk allen head screws.

The base shall be furnished with 4 anchor bolts with 2 nuts, 2 flat washers and 1 lock washer per anchor bolt as follows:

- 3/4" x 25" anchor bolt
- 3" exposed thread recommended

EXCEPTIONS: _____

PROJECT: _____

LOCATION: _____

DATE: _____